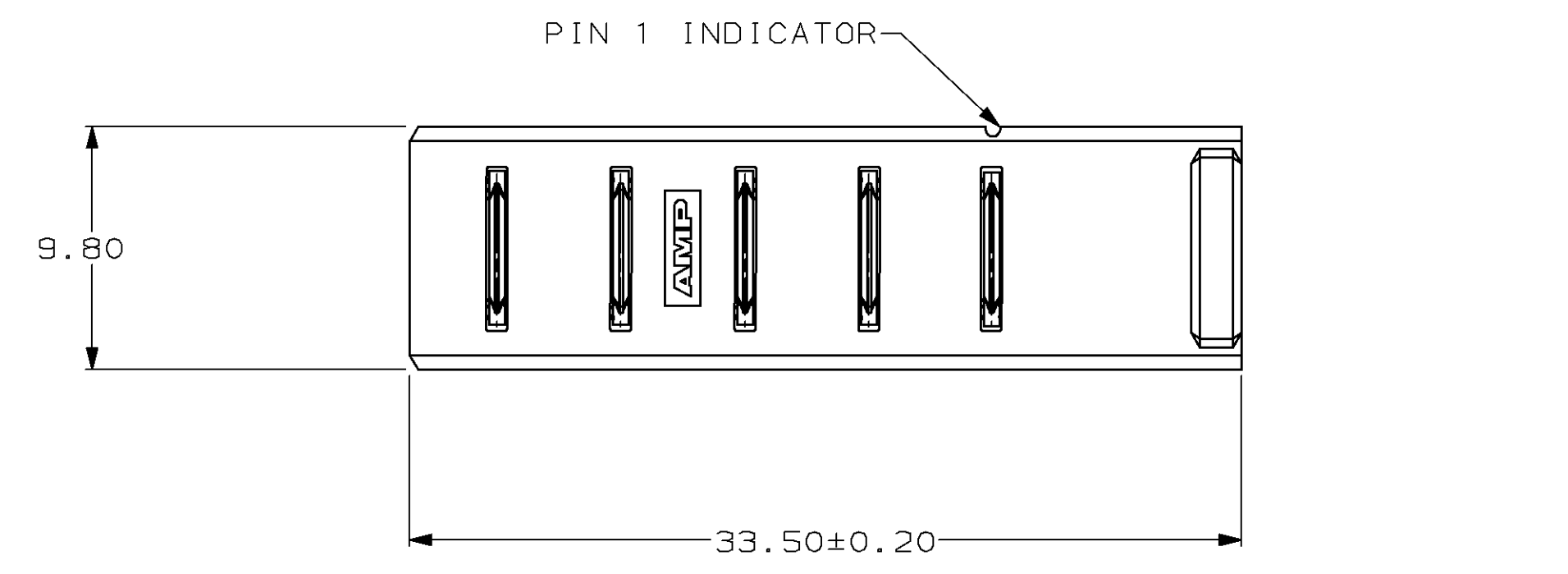
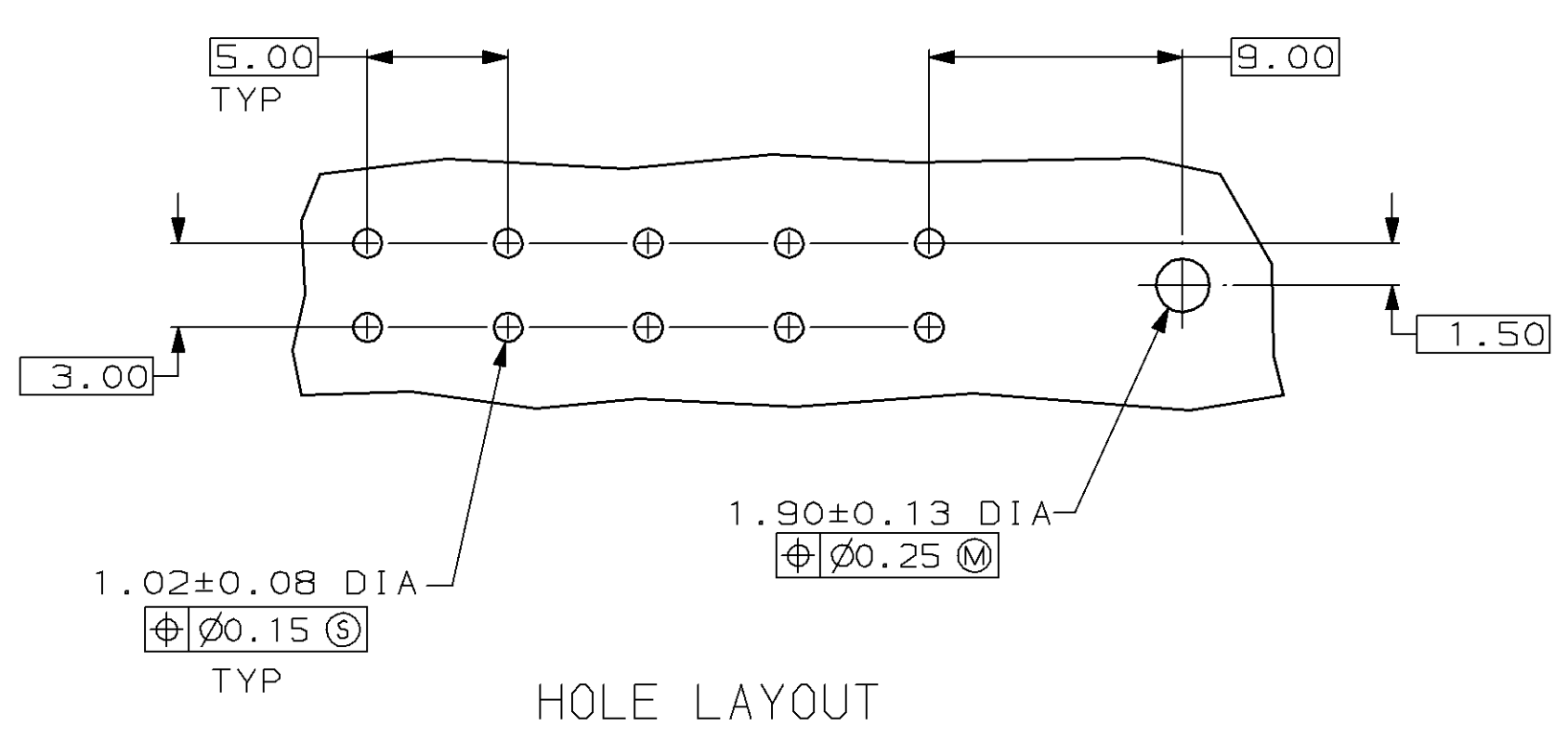
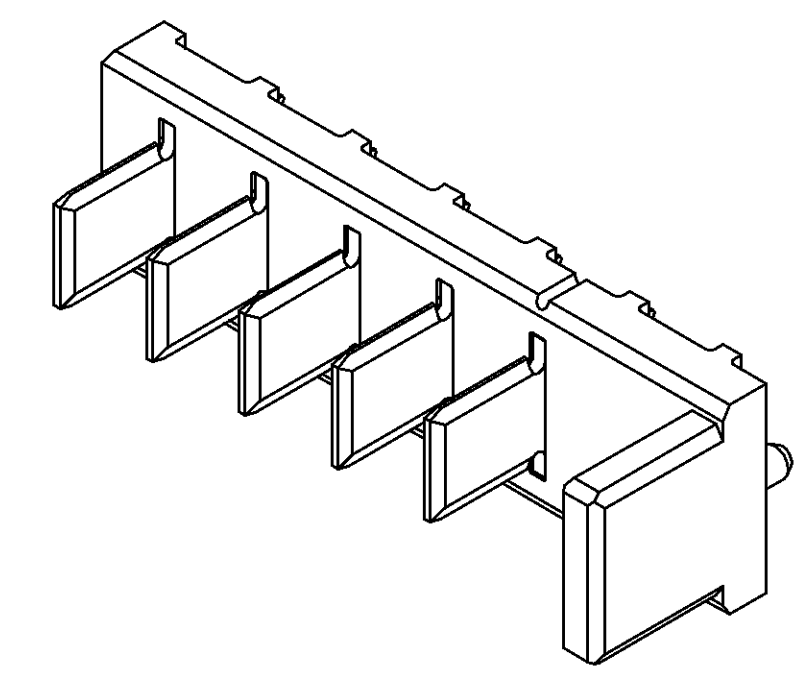
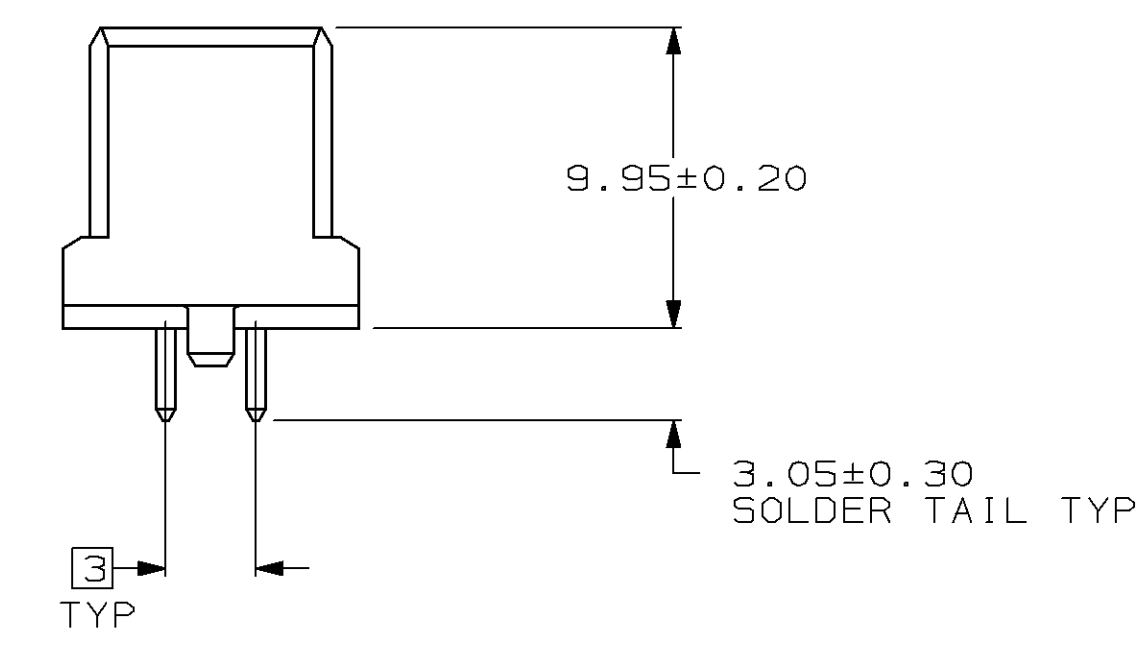
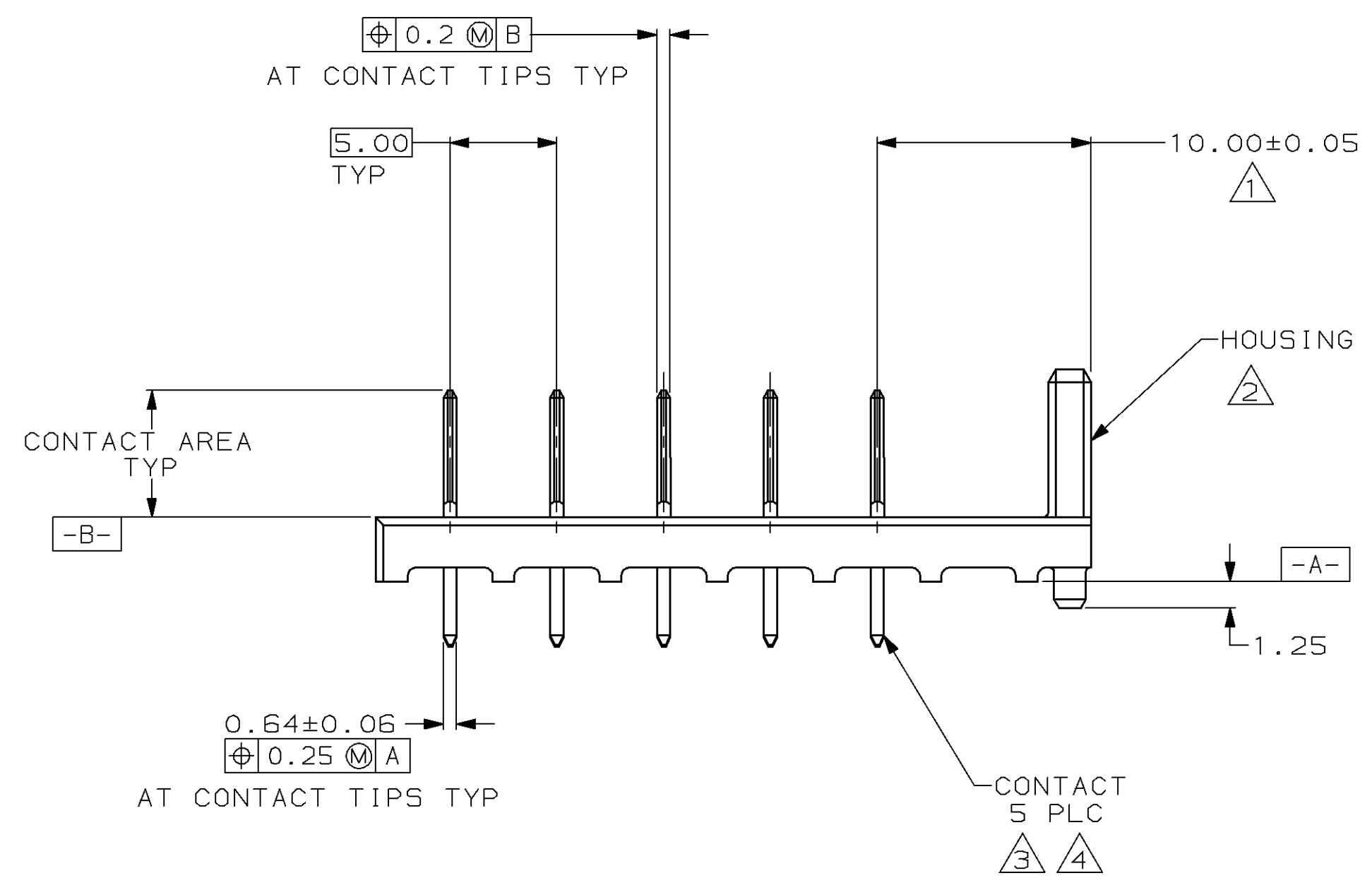


LOC	DIST	REVISIONS			
P	LTR	DESCRIPTION	DATE	OWN	APVD
AD	39				
0		RLSE -1 PER NPR 5303 WAS 94-2197-04-1	03/16/95	SK	SK
A		REV PER EC 0020-965-95	14 SEP 95	DG	RSK
B		REV PER EC 0020-0657-96	12/06/96	JR	RK
C		REV PER EC 0410-0218-96	12/06/96	JR	RS



- ① COORDINATE DIMENSION APPLIES FROM CENTER OF ACTUAL FEATURE.
- ② HOUSING: POLYPHTHALAMIDE, COLOR BLACK.
- ③ 2.54μm MIN TIN-LEAD ON SOLDER TAIL OVER 1.90μm MIN NICKEL ALL OVER.
- ④ CONTACTS: BRASS



787419-1
PART NO

<small>THIS DRAWING IS A CONTROLLED DOCUMENT FOR AMP INCORPORATED. IT IS SUBJECT TO CHANGE AND THE CONTROLLING ENGINEERING DEPARTMENT SHOULD BE CONTACTED FOR THE LATEST REVISION.</small>		DWN S.KLINE 03/16/95 CHK S.KLINE 03-17-95 APVD S.KLINE 03-17-95	AMP AMP Incorporated Harrisburg, PA 17105-3508
DIMENSIONS: mm 	TOLERANCES UNLESS OTHERWISE SPECIFIED: 0 PLC ±- 1 PLC ±- 2 PLC ±0.13 3 PLC ±- 4 PLC ±- ANGLES ±-	NAME: HEADER ASSEMBLY, VERTICAL, 5mm C, 5 POSN, SINGLE KEY, 10.8V, STRAIGHT SOLDER TAILS, BATTERY INTERCONNECT PRODUCT SPEC: 108-1501 APPLICATION SPEC: 114-24005	SIZE: A1 CAGE CODE: 00779 DRAWING NO: 787419
MATERIAL: SEE CALLOUTS	FINISH: SEE CALLOUTS	WEIGHT: -	SCALE: 4:1
CUSTOMER DRAWING		SHEET 1 OF 1	REV C